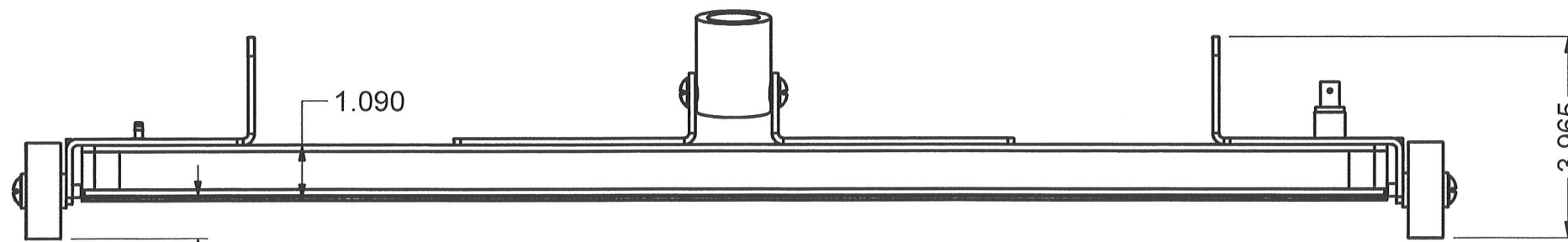
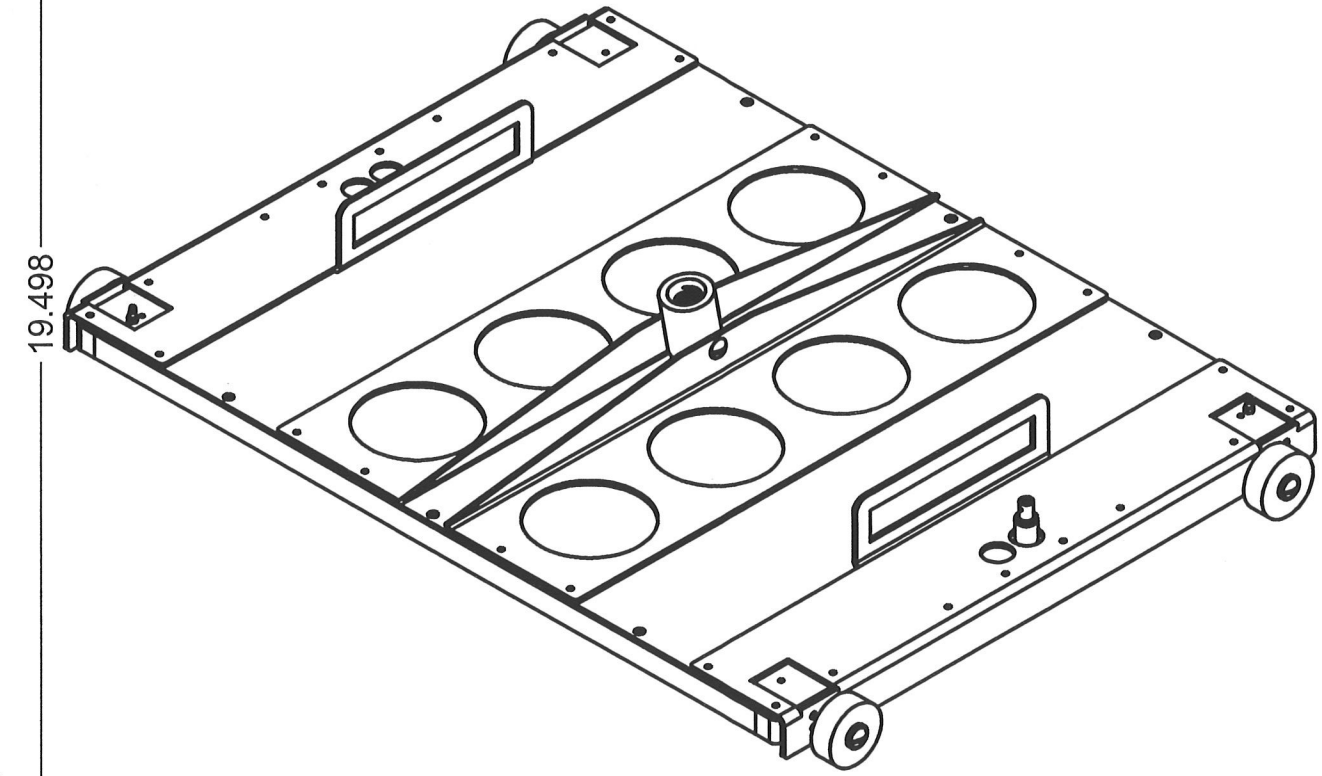
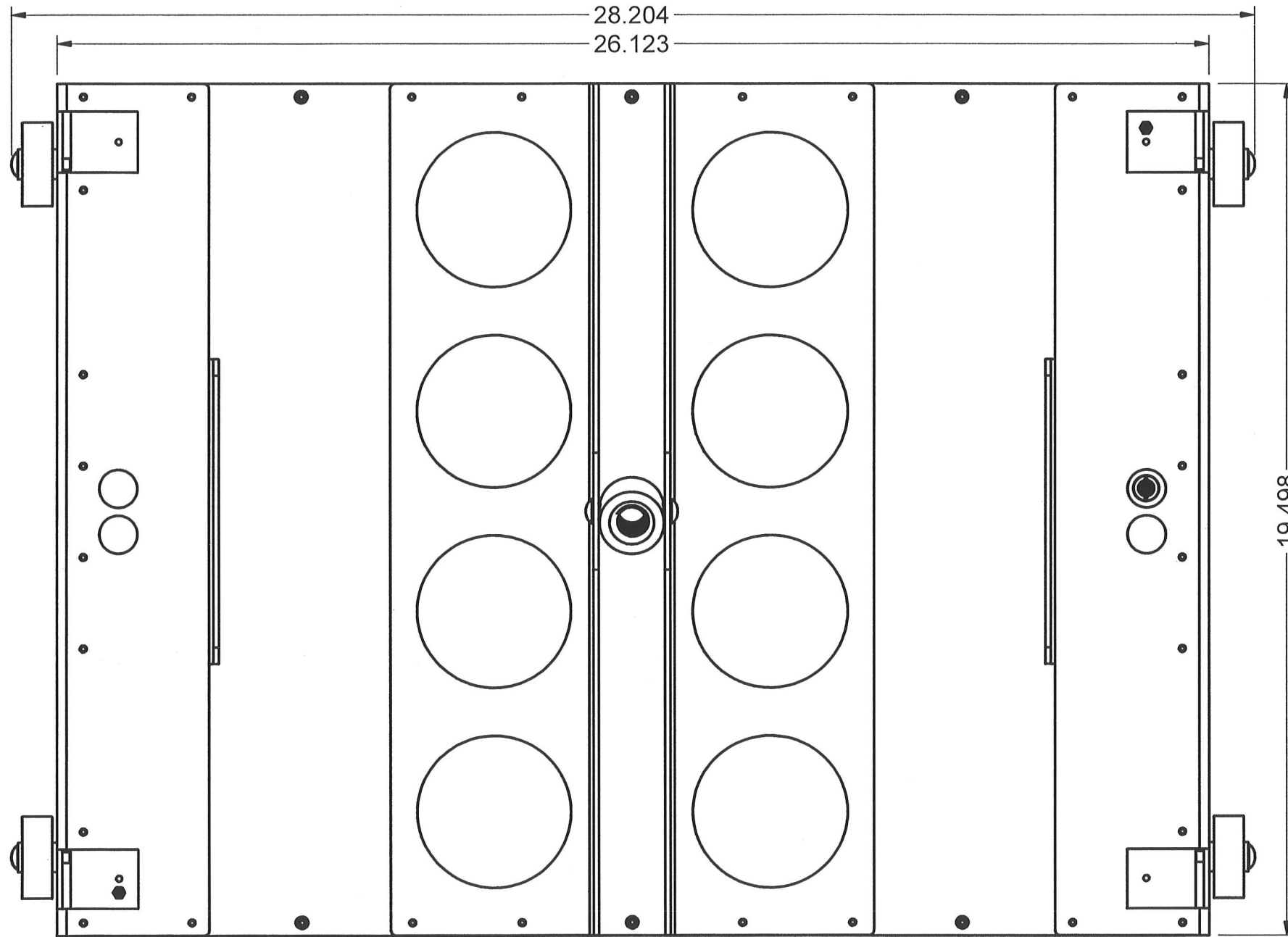


REVISION HISTORY			
REV	DESCRIPTION	DATE	BY
1	VALID	4-17-14	JGW

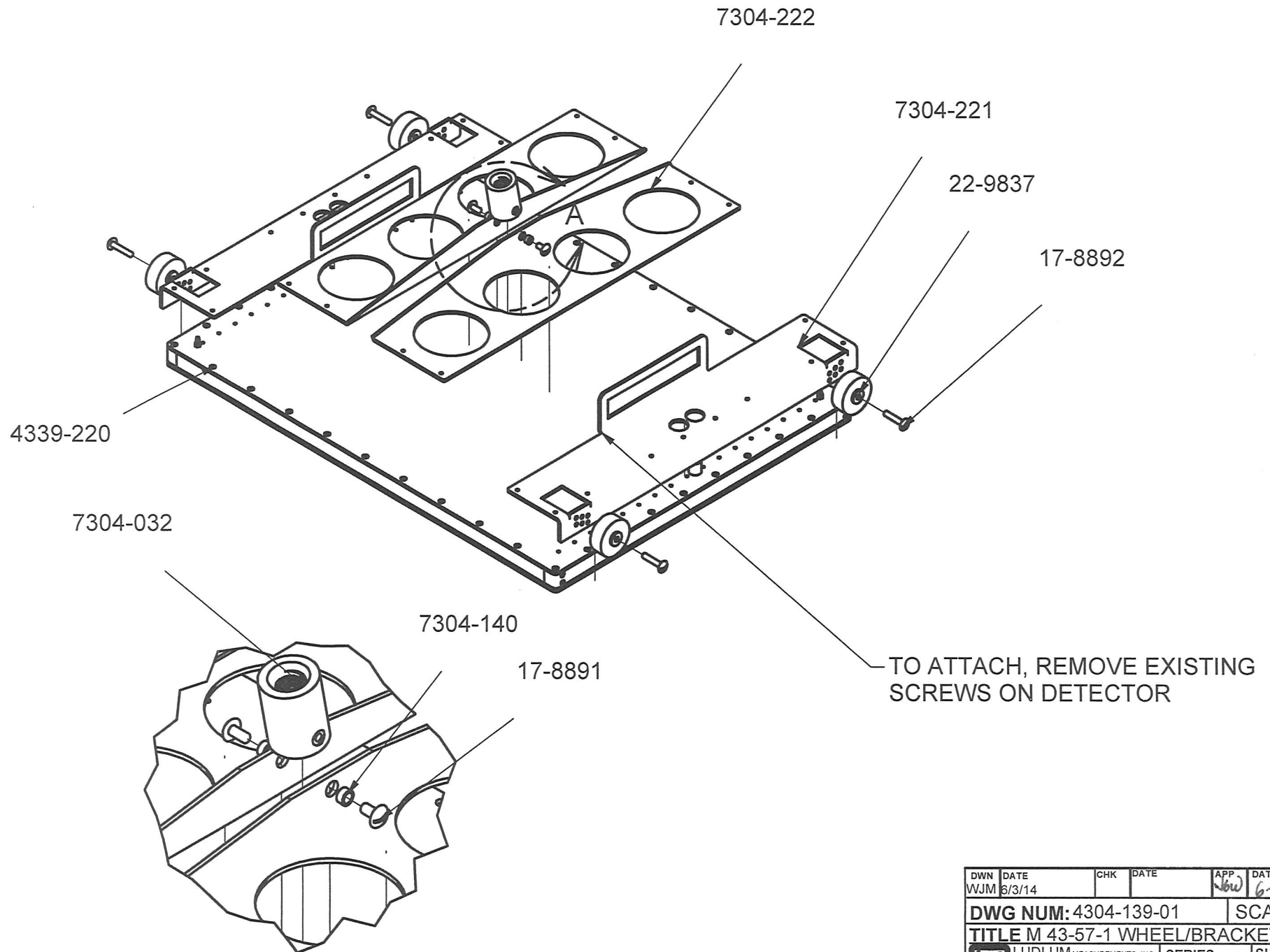


0.810" to 0.125"
 ADJUSTABLE IN 1/8" INCREMENTS
 ADJUST BY MOVING WHEEL SCREW FROM
 HOLE TO HOLE

DWN	DATE	CHK	DATE	APP	DATE
JGW	4-17-14			JGW	9-17-19
DWG NUM: 4304-139-01				SCALE: 1:2	
TITLE M 43-57-1 WHEEL BRACKET ASSY					
LUDLUM MEASUREMENTS, INC. 501 OAK STREET SWEETWATER, TEXAS 79556			SERIES	SHEET	
			304	139A	

REVISION HISTORY

REV	DESCRIPTION	DATE	BY
1	VALID	4-17-14	JGW



TO ATTACH, REMOVE EXISTING SCREWS ON DETECTOR

DWN	DATE	CHK	DATE	APP	DATE
WJM	6/3/14			JGW	6-16-14
DWG NUM: 4304-139-01				SCALE: 0.16:1	
TITLE M 43-57-1 WHEEL/BRAKETS ASSY				SERIES	SHEET
LUDLUM MEASUREMENTS, INC. 501 OAK STREET SWEETWATER, TEXAS 79556				304	139B