

**LUDLUM MODEL 43-93 AND MODEL 43-93-2
ALPHA/BETA SCINTILLATORS**

September 2023

**LUDLUM MODEL 43-93 AND MODEL 43-93-2
ALPHA/BETA SCINTILLATORS**

September 2023



LUDLUM MEASUREMENTS, INC

501 OAK STREET, P.O. BOX 810

SWEETWATER, TEXAS 79556

325-235-5494, FAX: 325-235-4672

STATEMENT OF WARRANTY

Ludlum Measurements, Inc. warrants the products covered in this manual to be free of defects due to workmanship, material, and design for a period of twelve months from the date of delivery. The calibration of a product is warranted to be within its specified accuracy limits at the time of shipment. In the event of instrument failure, notify Ludlum Measurements to determine if repair, recalibration, or replacement is required.

This warranty excludes the replacement of photomultiplier tubes, G-M and proportional tubes, and scintillation crystals which are broken due to excessive physical abuse or used for purposes other than intended.

There are no warranties, express or implied, including without limitation any implied warranty of merchantability or fitness, which extend beyond the description of the face there of. If the product does not perform as warranted herein, purchaser's sole remedy shall be repair or replacement, at the option of Ludlum Measurements. In no event will Ludlum Measurements be liable for damages, lost revenue, lost wages, or any other incidental or consequential damages, arising from the purchase, use, or inability to use product.

RETURN OF GOODS TO MANUFACTURER

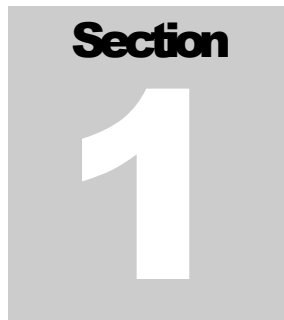
If equipment needs to be returned to Ludlum Measurements, Inc. for repair or calibration, please send to the address below. All shipments should include documentation containing return shipping address, customer name, telephone number, description of service requested, and all other necessary information. Your cooperation will expedite the return of your equipment.

**LUDLUM MEASUREMENTS, INC.
ATTN: REPAIR DEPARTMENT
501 OAK STREET
SWEETWATER, TX 79556**

**800-622-0828 325-235-5494
FAX 325-235-4672**

Table of Contents

<i>Introduction</i>	<i>1</i>
<i>Specifications</i>	<i>2</i>
<i>Safety Considerations</i>	<i>3</i>
Environmental Conditions for Normal Use	3-1
Cleaning Instructions and Precautions	3-1
Repair and Calibration	3-1
<i>Parts List</i>	<i>4</i>
Parts for Model 43-93	4-1
Parts for Model 43-93-2	4-2
Parts Common to Both Models	4-2
<i>Drawings and Diagrams</i>	<i>5</i>

A gray square graphic containing the word "Section" in a bold, black, sans-serif font at the top, and a large, white, bold number "1" in the center.

Introduction

The Model 43-93 and 43-93-2 detectors are designed for alpha-beta surveying when coupled with compatible instruments. Functionally, these two detectors are very similar but differ in the type of protective window screen and the size of the active and open window areas.

Discriminating between alpha and beta radiation simultaneously requires the counting instrument to have either separate power supplies or window/threshold controls for each channel. The Ludlum Model 2929 Scaler, Model 2223, Model 2224, or Model 2360 instruments provide the necessary circuitry for simultaneous alpha-beta discrimination.

A Zinc Sulfide [ZnS (Ag)] scintillator is used for detecting alpha particles, and a thin plastic scintillator is employed for detecting beta radiation. The scintillation material is covered by metallized Mylar to reduce light response, limiting excessive background counts. The Model 43-93 window is protected by an 88% open square-hole screen, where the Model 43-93-2 window is protected by a 79% open hexagonal-hole screen.

The photomultiplier tube (PMT) and crystal assembly may easily be removed for repair. Refer to the assembly view drawing in section 5 of this manual for details on construction and parts. The photomultiplier tube typically operates between 500 and 1200 volts with a recommended maximum of 1500 volts.

Section

2

Specifications

Photomultiplier Tube: 2.9 cm (1.1 in.) diameter; magnetically shielded

Scintillator Material: Zinc Sulfide [ZnS (Ag)] deposited on a 0.25 mm (0.010 in.) rectangular plastic scintillator

Window: 1.2 mg/cm² metalized polyester

Window Area (Model 43-93):

Active area: approximately 100 cm²

Open area: approximately 88 cm²

Window Area (Model 43-93-2):

Active area: approximately 126 cm²

Open area: approximately 100 cm²

Efficiency (4 π):

Model 43-93: typically 15% for ⁹⁹Tc, 20% for ⁹⁰Sr ⁹⁰Y, and 20% for ²³⁹Pu

Model 43-93-2: typically 10% for ⁹⁹Tc, 17% for ⁹⁰Sr ⁹⁰Y, and 15% for ²³⁹Pu

Background (in a 10 μ R/hr field):

Alpha: 3 cpm or less

Beta: 300 cpm or less

Response Uniformity: 15% or less from average reading

Operating Voltage: typically 500-1200 Vdc (1500 Vdc max.)

Dynode String Resistance: 60 megohm

Gamma Sensitivity: 15-20 cpm/ μ R/hr (^{137}Cs)

Dead Time: typically 5 μ sec or less

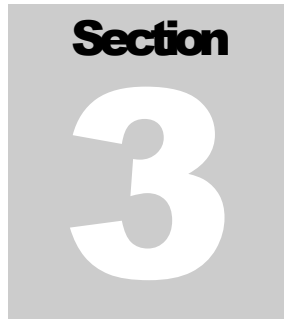
Connector: Series "C" unless otherwise specified

Temperature Range: -20 to 50 °C (-4 to 122 °F)

Size: 6.4 x 9.5 x 31 cm (2.5 x 3.8 x 12.3 in.) (H x W x L)

Weight: approximately 0.45 kg (1 lb)

Construction: aluminum housing with beige powder-coat finish

A gray square graphic containing the word "Section" in a bold, black, sans-serif font at the top, and a large, white, bold, sans-serif number "3" in the center.

Safety Considerations

Environmental Conditions for Normal Use

Indoor or outdoor use

No maximum altitude

Temperature range of -20 to 50°C (-4 to 122 °F)

Maximum relative humidity of less than 95% (non-condensing)

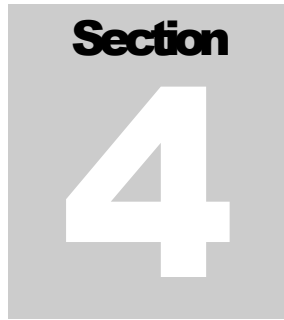
Cleaning Instructions and Precautions

The detectors specified in this manual may be cleaned externally with a damp cloth, using only water as the wetting agent. Do not immerse the detector in any liquid. Do not attempt to clean a detector that is attached to an instrument providing high voltage. Disconnect the detector cable before cleaning.

Repair and Calibration

To return an instrument for repair or calibration, provide sufficient packing material to prevent damage during shipment.

Every returned instrument must be accompanied by an Instrument Return Form, which can be downloaded from the Ludlum website at www.ludlums.com. Find the form by clicking the “Support” tab and selecting “Service Center” from the drop-down menu. Then choose the appropriate Service division where you will find a link to the form.



Section
4

Parts List

For Model 43-93

**Assembly View,
Drawing 393 x 140**

<u>Reference</u>	<u>Description</u>	<u>Part Number</u>
UNIT	Completely Assembled Model 43-93 Alpha /Beta Scintillator	47-2556

<u>Quantity</u>	<u>Description</u>	<u>Part Number</u>
1 ea	Welded Body Assembly	2393-141
1 ea	Mirror	2310698
1 ea	Connector Cap	7393-102
1 ea	Mylar Window Assembly	4393-149
1 ea	Window Frame	7393-148
1 ea	Face Ring	7393-137
1 ea	Square Screen (external snap-on screen)	7393-171
1 ea	Backup w/Plastic Scintillator and ZnS	4393-153
1 ea	Plastic Scintillator- EJ444L-2.94 x5.91x 0.010	01-5692
1 ea	Photomultiplier Tube	01-6005
1 ea	Voltage Divider Board	5435-484
*	Foil-NETIC	01-5019
*	Foil-CO-NETIC	01-5026
9 ea	Sponge	7002-065-04
1 ea	Tube Holder Assembly	2393-117
1 ea	Gasket	7393-139
1 ea	O-Ring	16-8366
1 ea	Series "C" Connector RECPT-UG706/U	4478-011
1 ea	Model 43-93 Vinyl Cover	7393-162

	<u>Reference</u>	<u>Description</u>	<u>Part Number</u>
For Model 43-93-2	UNIT	Completely Assembled	
		Model 43-93-2	
Assembly View, Drawing 393 x 119		Alpha /Beta Scintillator	47-3227

<u>Quantity</u>	<u>Description</u>	<u>Part Number</u>
1 ea	Welded Body Assembly	2393-105
1 ea	Mirror	2310654
1 ea	Connector Cap	7393-102
1 ea	Mylar Window Assembly	4393-126
1 ea	Window Frame	7393-109
1 ea	Face Ring	7393-112
1 ea	Hex Screen	
	(external snap-on screen)	7393-116
1 ea	Backup w/Plastic Scintillator and ZnS	4393-127
1 ea	Plastic Scintillator-	
	EJ212-3.12 x 6.67 x 0.010	01-5685
1 ea	Photomultiplier Tube	01-6005
1 ea	Voltage Divider Board	5435-484
*	Foil-NETIC	01-5019
*	Foil-CO-NETIC	01-5026
9 ea	Sponge	7002-065-04
1 ea	Tube Holder Assembly	2393-117
1 ea	Gasket	7393-110
1 ea	O-Ring	16-8366
1 ea	Series "C" Connector	
	RECPT-UG706/U	4478-011
1 ea	Model 43-93-2 Vinyl Cover	7393-169

**Parts Common to
both Model 43-93
and 43-93-2**

**1 1/8-inch Voltage
Divider Board,
Drawing 435 x 1325**

CAPACITORS

	<u>Reference</u>	<u>Description</u>	<u>Part Number</u>
	BOARD	Completely Assembled 1 1/8 inch Voltage Divider Board (Models 43-93 & 43-93-2)	5435-484
	C1- C3	0.01uF, 200V	04-5725
	C4	0.0047uF, 3KV	04-5547
RESISTORS	R1	10M, 1/8W, 1%	12-7996

	<u>Reference</u>	<u>Description</u>	<u>Part Number</u>
	R2	7.5M, 1/8W, 5%	12-7971
	R3-R10	10M, 1/8W, 1%	12-7996
	R11	2.21M, 1/8W, 1%	12-7002
	R12-R13	10M, 1/8W, 1%	12-7996
MISCELLANEOUS	*	SOCKET 1 1/8 inch PCB MOUNT	4435-103
	W1	Wire-#22AWG WHT 9 65/40	21-8543
	W4	Wire-#22AWG BLK 0 65/40	21-8552

Section
5

Drawings and Diagrams

Model 43-93 Assembly View, Drawing 393 × 140

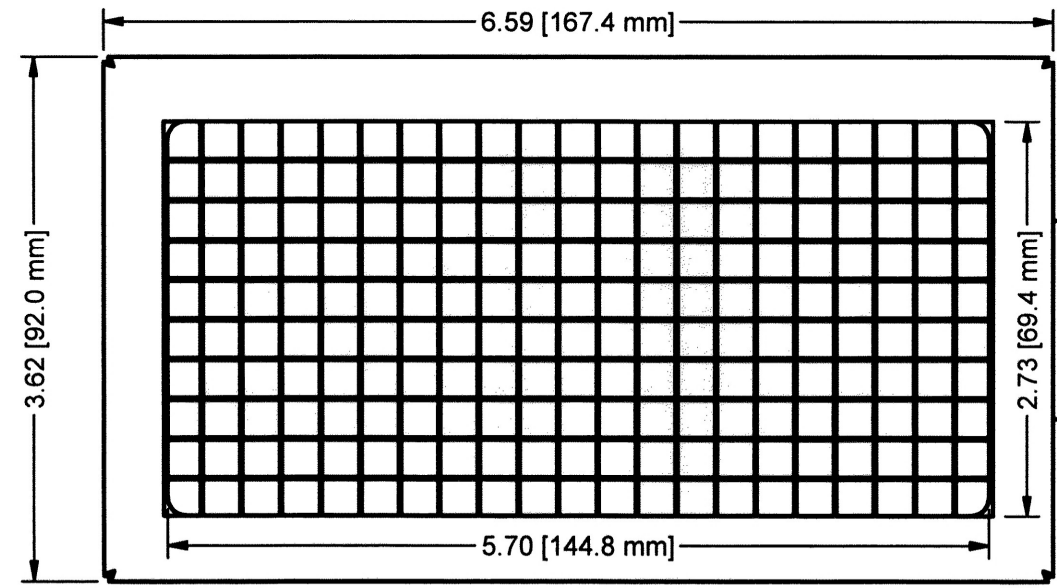
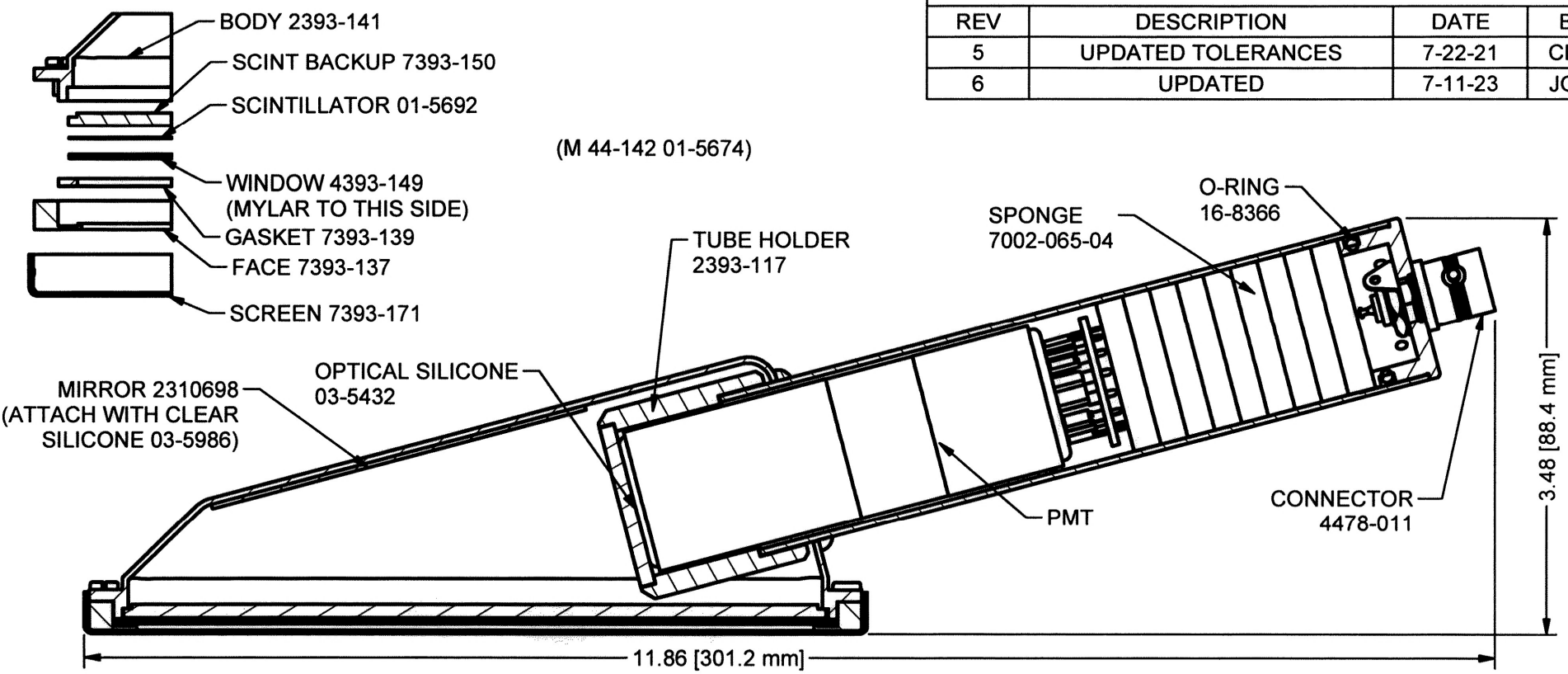
Model 43-93-2 Assembly View, Drawing 393 × 119

Mylar Window Replacement, Drawing 393 x 165A

1 1/8 inch Voltage Divider Circuit Board, Drawing 435 × 1325

1 1/8 inch Voltage Divider Component Layout, Drawing 435 × 1324
(2 sheets)

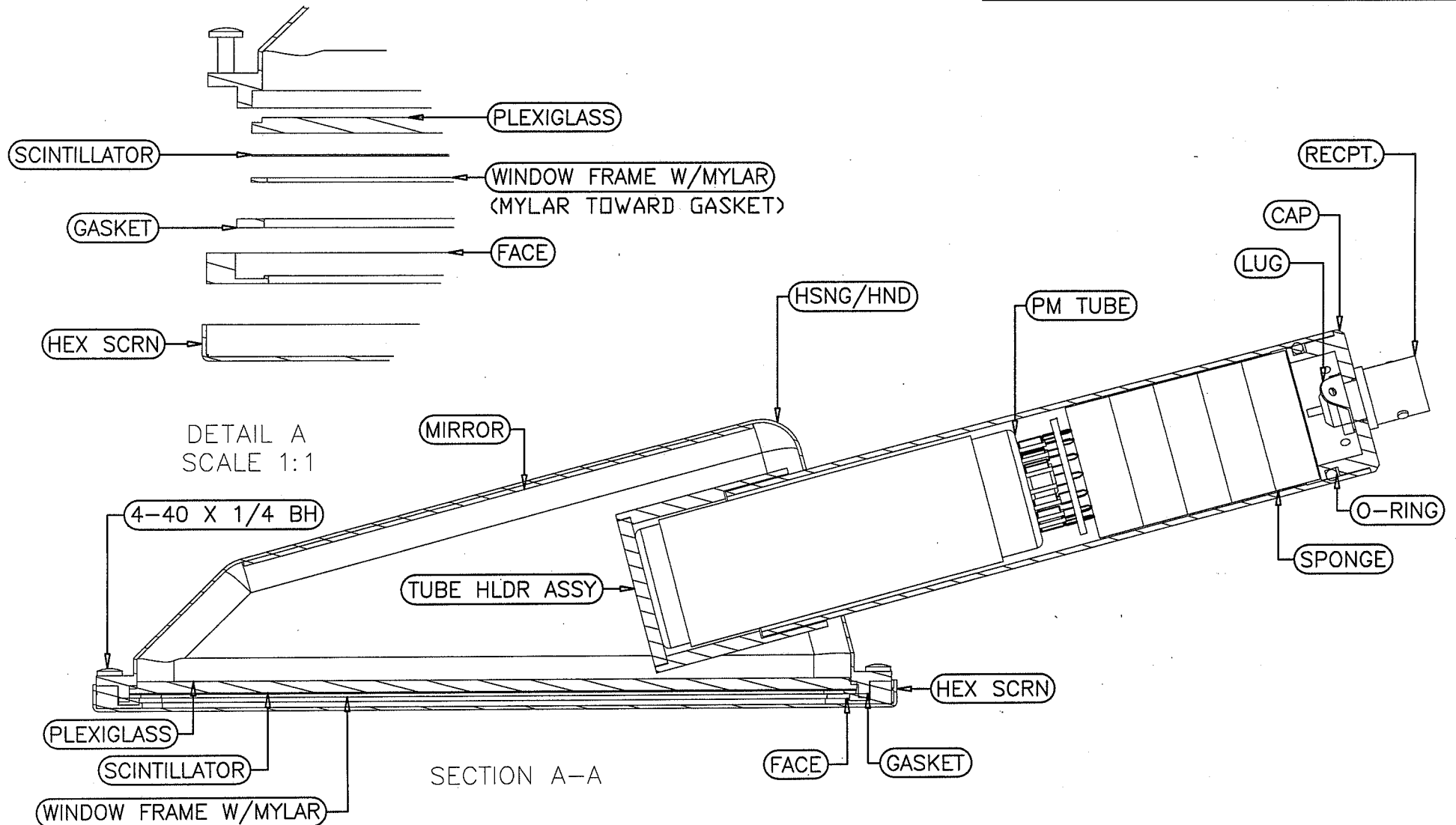
REVISION HISTORY			
REV	DESCRIPTION	DATE	BY
5	UPDATED TOLERANCES	7-22-21	CMC
6	UPDATED	7-11-23	JGW



VOLUME:
APPROX 44 IN3

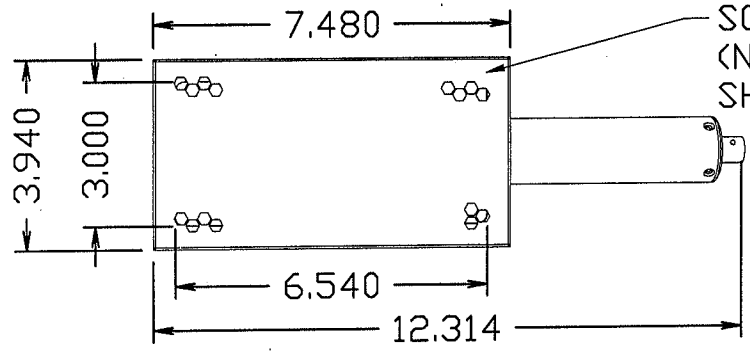
DWN	DATE	CHK	DATE	APP	DATE
JGW	7-11-23			JGW	7-11-23
DWG NUM: 4393-140				SCALE: 3/4	
TITLE M43-93, 44-142 W/ SNAP ON SCRN					
LUDLUM MEASUREMENTS, INC. 501 OAK STREET SWEETWATER, TEXAS 79556			SERIES 393	SHEET 140	

REV #	ALTERATIONS	DATE	BY
1	VALID	2/12/02	DSW



DETAIL A
SCALE 1:1

SECTION A-A



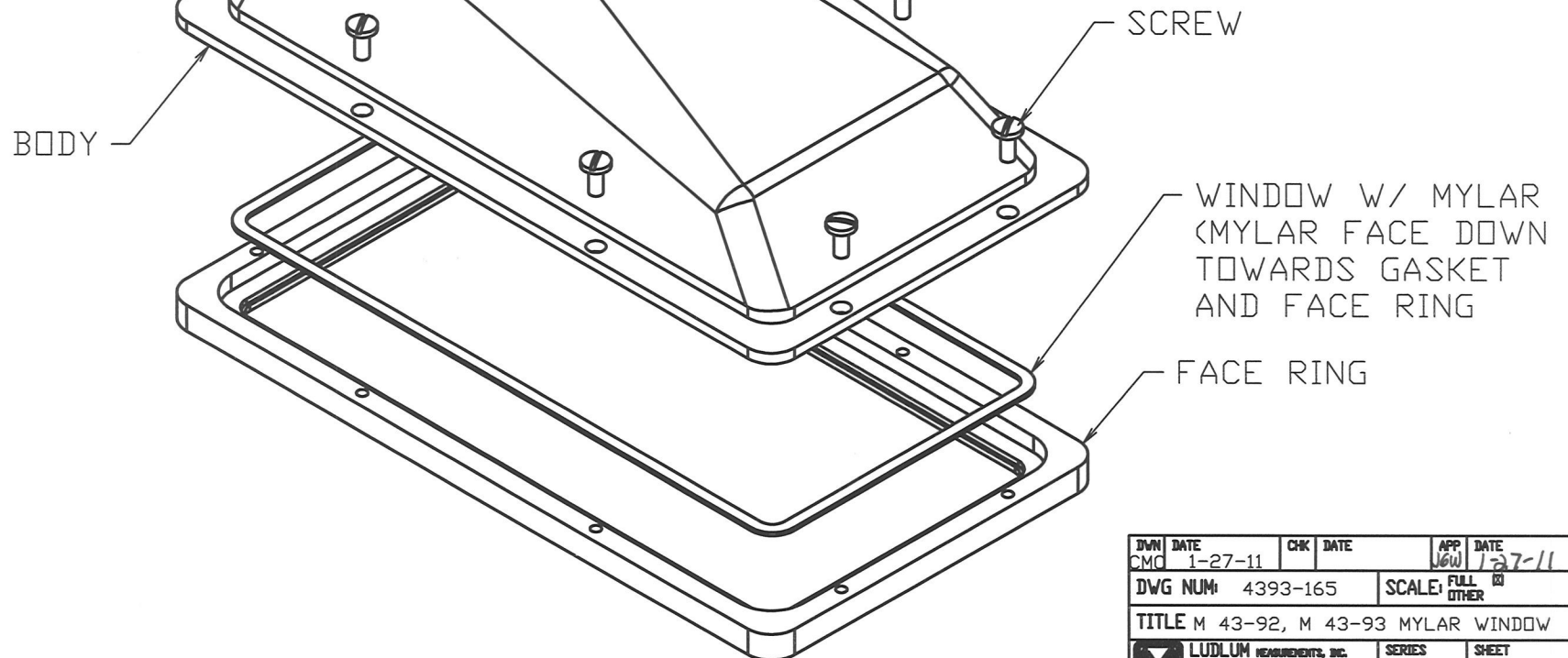
SCREEN 79% OPEN
(NOT ALL OPENINGS
SHOWN)

DRN DATE	2/12/02	CHK DATE	2-12-02	APP DATE	2-12-02
DSW		JW		DSW	
PART NUM	4393-119	SCALE	FULL <input type="checkbox"/>	OTHER	
TITLE M 43-93-2 & 44-142-2 ASSEMBLY					
LUDLUM MEASUREMENTS, INC. ONE ONE STREET BARTONVILLE, ILLINOIS 60103			SERIES	393	SHEET
					119

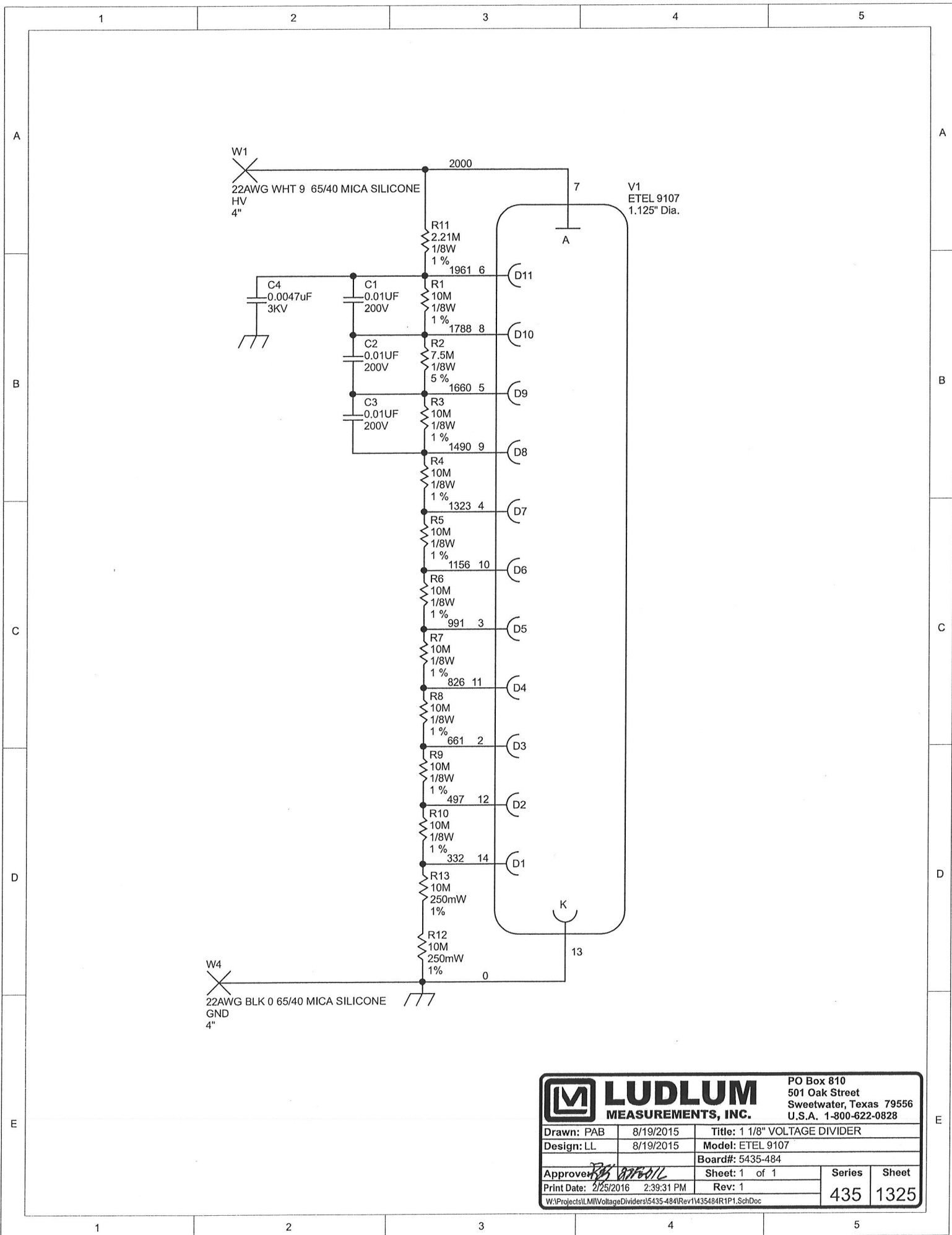
REV #	ALTERATIONS	DATE	BY
1	VALID	1-27-11	CMC

MYLAR WINDOW REPLACEMENT

1. REMOVE SCREWS
2. REMOVE FACE RING
3. PULL OUT DAMAGED MYLAR WINDOW (WARNING!!! MAKE SURE SCINTILLATOR ASSEMBLY STAYS IN PLACE).
4. INSTALL NEW MYLAR WINDOW.
5. ATTACH FACE RING (WARNING!!! MAKE SURE GASKET IS NOT DAMAGED)
6. INSTALL SCREWS



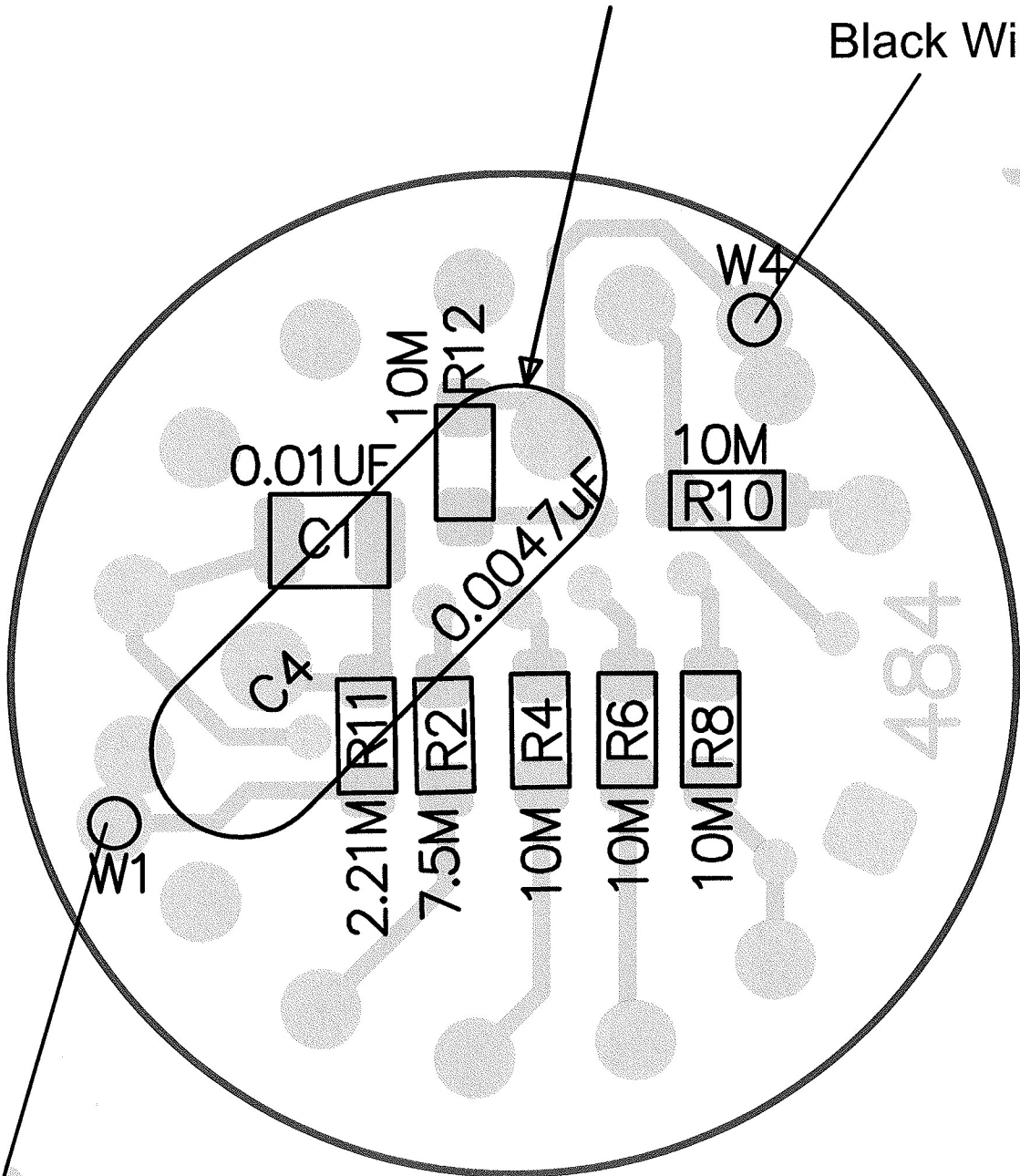
DWN	DATE	CHK	DATE	APP	DATE
CMC	1-27-11			low	1-27-11
DWG NUM: 4393-165			SCALE: FULL <input checked="" type="checkbox"/> OTHER		
TITLE M 43-92, M 43-93 MYLAR WINDOW					
LUDLUM MEASUREMENTS, INC. 501 ONE STREET SWEETWATER, TEXAS 75556			SERIES	SHEET	
			393	165A	



		PO Box 810 501 Oak Street Sweetwater, Texas 79556 U.S.A. 1-800-622-0828	
Drawn: PAB	8/19/2015	Title: 1 1/8" VOLTAGE DIVIDER	
Design: LL	8/19/2015	Model: ETEL 9107	
		Board#: 5435-484	
Approved: <i>[Signature]</i>		Sheet: 1 of 1	Series
Print Date: 2/25/2016 2:39:31 PM		Rev: 1	Sheet
W:\Projects\LM\VoltageDividers\5435-484\Rev1\435484R1P1.SchDoc		435	1325


Bend C4 flat against board

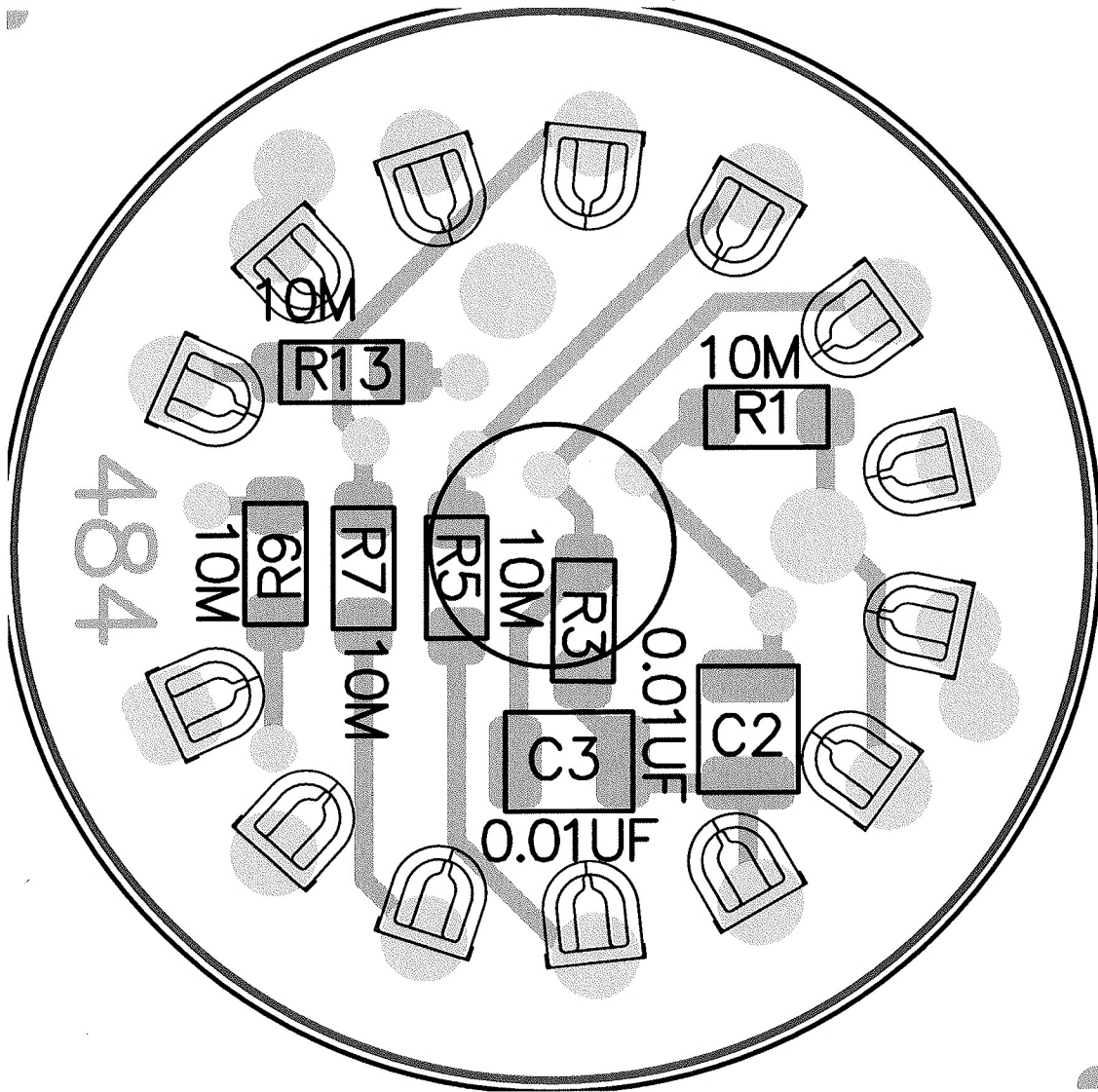
Black Wire




White Wire

②

 LUDLUM		PO Box 810 501 Oak Street Sweetwater, TX 79556 U.S.A. 1-800-622-0828	
MEASUREMENTS, INC.			
Title: 1 1/8" VOLTAGE DIVIDER			
Drawn: PAB	8/19/2015	Model: ETEL 9107	
Design: LL	8/19/2015	Board#: 5435-484	
Approve: <i>RDS</i>	<i>22-Jun-16</i>	Rev: 1	
PCBA Drawing		SCALE: 1.00	Series Sheet
Print Date: 6/22/2016	12:35:31 PM	Top Overlay	435 1324
W:\Projects\LL\MI\VoltageDividers\5435-484\Rev1\435484R1_Assy.PcbDoc			



2

 LUDLUM MEASUREMENTS, INC.		PO Box 810 501 Oak Street Sweetwater, TX 79556 U.S.A. 1-800-622-0828	
Title: 1 1/8" VOLTAGE DIVIDER			
Drawn: PAB	8/19/2015	Model: ETEL 9107	
Design: LL	8/19/2015	Board#: 5435-484	
Approve: <i>RJS</i>	<i>22 JUN 16</i>	Rev: 1	
<i>PCBA Drawing</i>		SCALE: 1.00	Series Sheet
Print Date: 6/22/2016	12:35:36 PM	Bottom Overlay	435 1324
<small>W:\Projects\LMIVoltageDividers\5435-484\Rev1\435484R1_Assy.PcbDoc</small>			